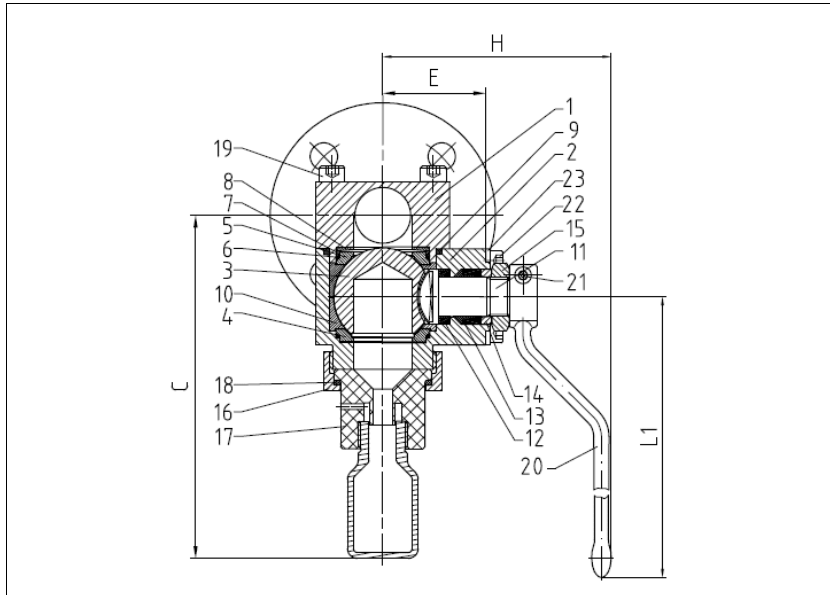


# BALL VALVES INTEC

K731, DN15 - DN200, PN16/40

Sample volume per switch 10, 15 or 25 ml,  
metal seated



No.	Part	Material
1	adapter	1.4571/1.4404/1.4408
2	body	1.4571/1.4404/1.4408
3	ball	1.4571/1.4404 hard facing metal coated
4	seat exit port	1.4571/1.4404 hard facing metal coated
5	seat entry port	1.4571/1.4404 hard facing metal coated
6	bearing ring seal	KF
7	follower ring	1.4571/1.4404
8	plate spring	Inconel 718
9	body seal	KF
10	spherical cap	1.4571/1.4404
11	stem	1.4462
12	below seal	KFGN/Graphite
13	upper seal	KFAM/Graphite
14	upper stem bearing	PEEK
15	hex. nut self-locking	A2/1.4301
16	cap nut	1.4301
17	bottle adapter	KFGN
18	o-ring	Viton
19	allen screw	A4-70
20	lever	1.4408
21	allen screw	A2-70
22	allen screw	A2-70
23	stopper	1.4301

## Dimensions

DN mm	PN	dimensions (mm)		L (GR.1)	L (GR.27)	D	E	C sample bottle		
		H	L1					25 ml (GL25)	50 ml (GL32)	100 ml (GL45)
15	16/40	116.5	250	130	-	95	52.5	170.3	187.3	200.3
20	16/40	116.5	250	150	-	105	52.5	172.5	189.5	202.5
25	16/40	116.5	250	160	-	115	52.5	175.1	192.1	205.1
32	16/40	116.5	250	180	-	140	52.5	177.6	194.6	207.6
40	16/40	116.5	250	200	140	150	52.5	180.5	197.5	210.5
50	16/40	116.5	250	230	150	165	52.5	186.75	203.75	216.75
65	16/40	216.5*	250	290	170	185	52.5	198.1	215.1	228.1
80	16/40	216.5*	250	310	180	200	52.5	209.5	226.5	239.5
100	16/40	216.5*	250	350	190	200/235	52.5	223.4	240.4	253.4
125	16/40	216.5*	250	-	325	250/270	52.5	237.3	254.5	267.5
150	16/40	216.5*	250	-	350	285/300	52.5	252.0	269.0	282.0
200	16/40	216.5*	250	-	400	340/375	52.5	266.4	283.4	296.4

\* incl. 100 mm stem extension.

Protection box, safety cover and/or heating jacket on request.

- special material on request.

KLINGER SCHÖNEBERG GmbH | Auf der Lind 10 A1 | DE-65529 Waldems-Esch

Tel +49-6126-950-0 | Fax +49-6126-950-341 | www.klinger-schoeneberg.de | sales@klinger-schoeneberg.de

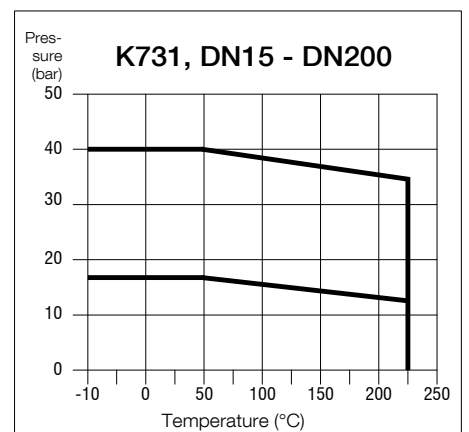
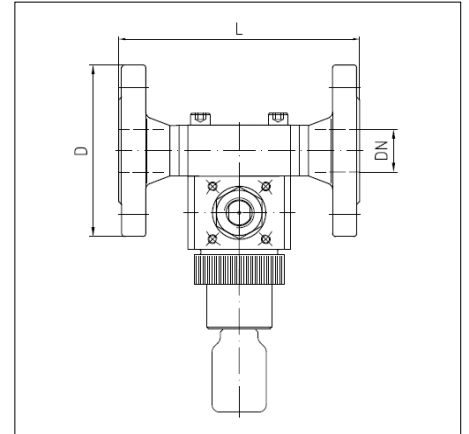
Sampling device ball valve  
with flanges acc. to EN 1092  
connection thread for sample bottle  
acc. to DIN 168 GL 25, GL 32, GL 45  
full bore  
face to face acc. to EN 558, GR. 1  
face to face acc. to EN 558, GR. 27

## Specification:

Sampling device ball valve with flanges acc. to EN 1092, connection thread for sample bottle acc. to DIN 168 GL 25, GL 32, GL 45, face to face dimensions acc. to EN 558, GR.1/GR.27, full bore, blow-out-proof stem, body material stainless steel (1.4571/1.4404/1.4408), antistatic device, free of non ferrous metals, ball with pocket hole for a defined sample volume of 10, 15, 25 ml, cavity reduced through spherical cap, seats 1.4571/1.4404 hard facing metal coated, top flange DIN EN ISO 5211, approved by PED, certified acc. to GERMAN clean air act VDI 2440, with lever.

High-temperature design up to +400°C on request.

Marking: INTEC K731



Ordering example:  
INTEC K731, DN50, PN16, GR.1,  
25 ml, GL 25